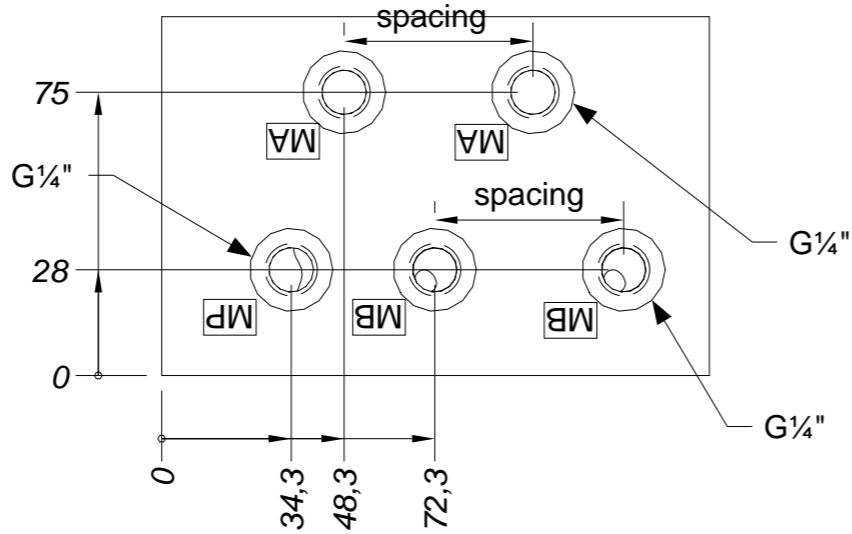
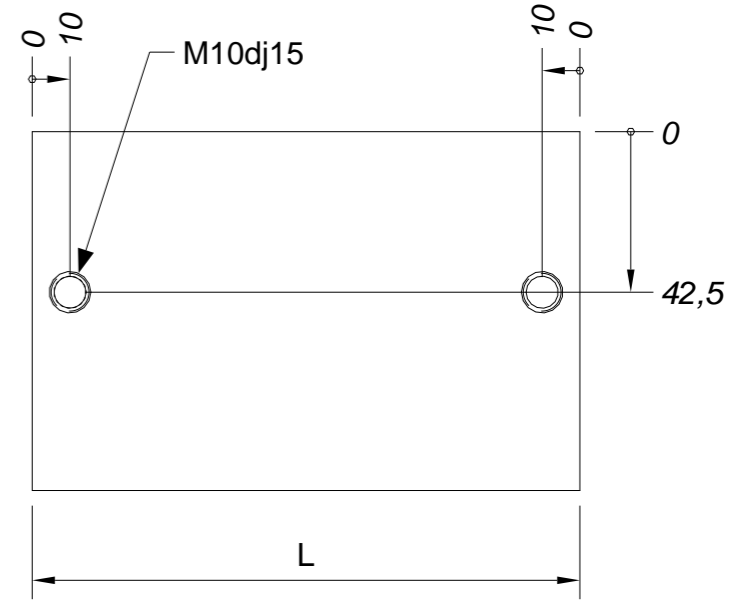
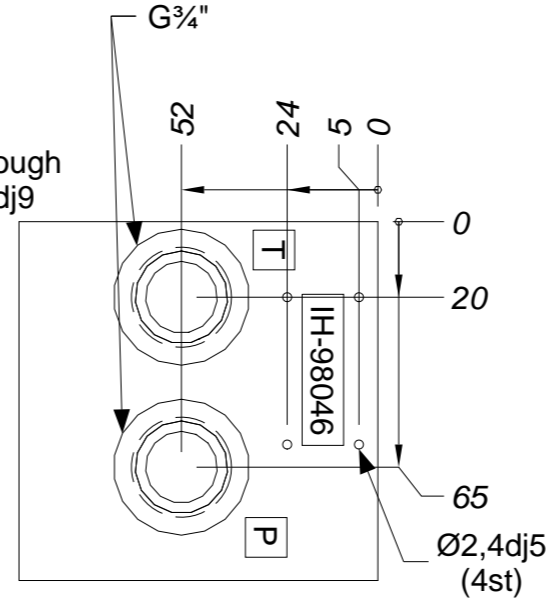
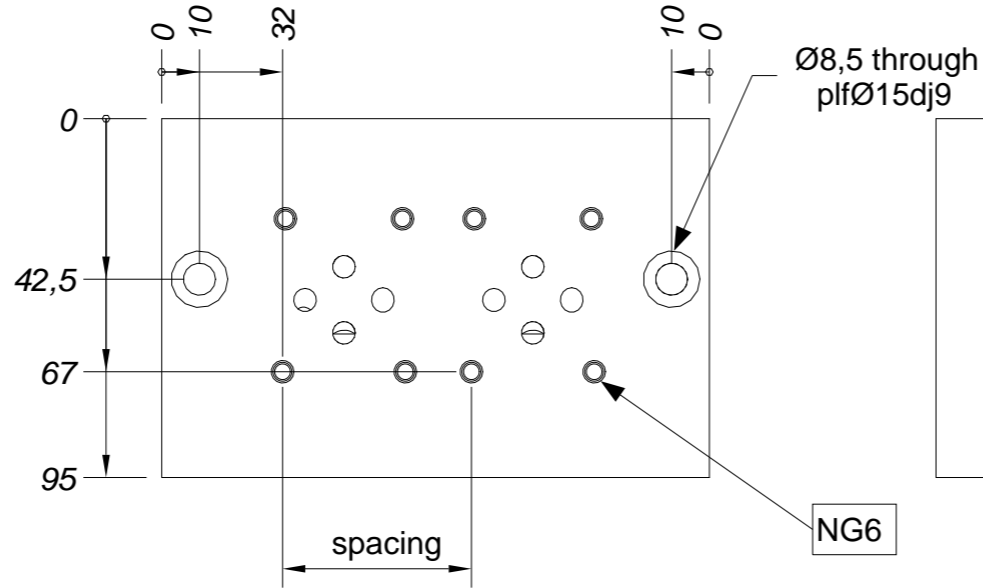
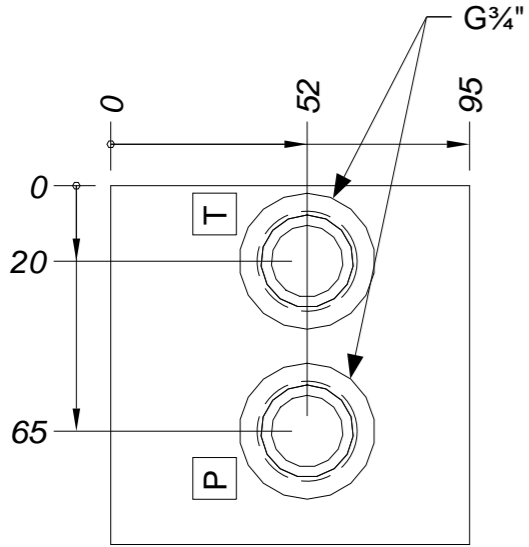
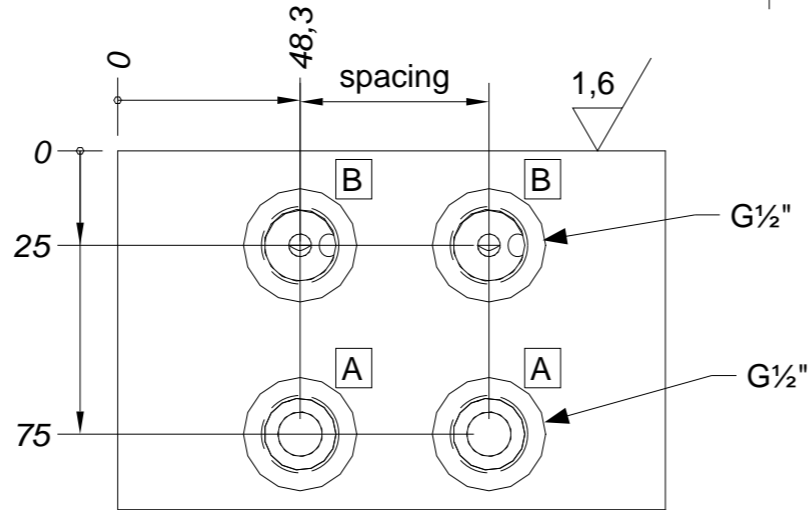



RevNr.	Revision note	Date	Sign
--------	---------------	------	------

Station	1	2	3	4	5	6	7	8
Spacing 50 L=	95	145	195	245	295	345	395	445



E	A3	General Tolerances acc to : ISO 2768-1 medium	Matrial SS1912		
	Scale 1:2		Drawn K:W	Checked S:N	Dat. 2006-02-14 17:49
		Title NG6-S Standard		Sheet 1	Rev. A
		Doc.Nr IH-98046			